

GOODSON

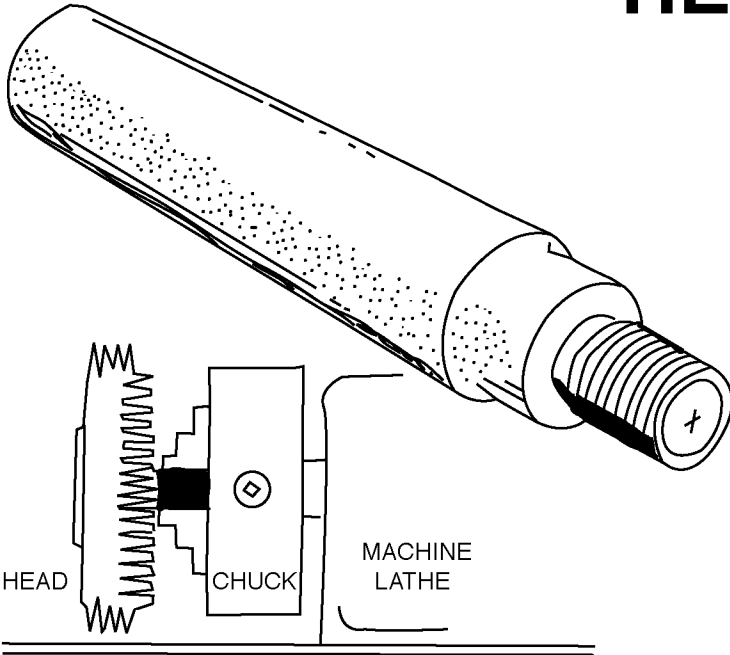
Tools and Supplies for Engine Builders

156 Galewski Drive • P.O. Box 847 • Winona, MN 55987-0847

Toll-Free 1-800-533-8010 • Local 507-452-1830 • www.goodson.com

GPS- 811

HEAD HOLDING TOOL



- For polishing or machining any 14MM center spark plug located head.
- Make head alterations for proper compression ratio.
- Designed for use in most machine lathes for work on:
 - PISTON VALVE
 - REED VALVE
 - ROTARY VALVE
 - ... cylinder heads.

GOODSON

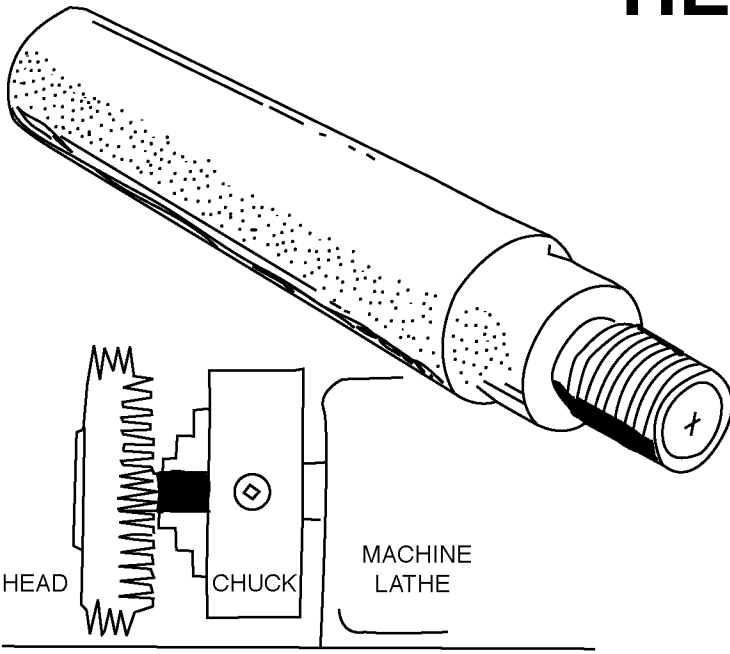
Tools and Supplies for Engine Builders

156 Galewski Drive • P.O. Box 847 • Winona, MN 55987-0847

Toll-Free 1-800-533-8010 • Local 507-452-1830 • www.goodson.com

GPS- 811

HEAD HOLDING TOOL



- For polishing or machining any 14MM center spark plug located head.
- Make head alterations for proper compression ratio.
- Designed for use in most machine lathes for work on:
 - PISTON VALVE
 - REED VALVE
 - ROTARY VALVE
 - ... cylinder heads.